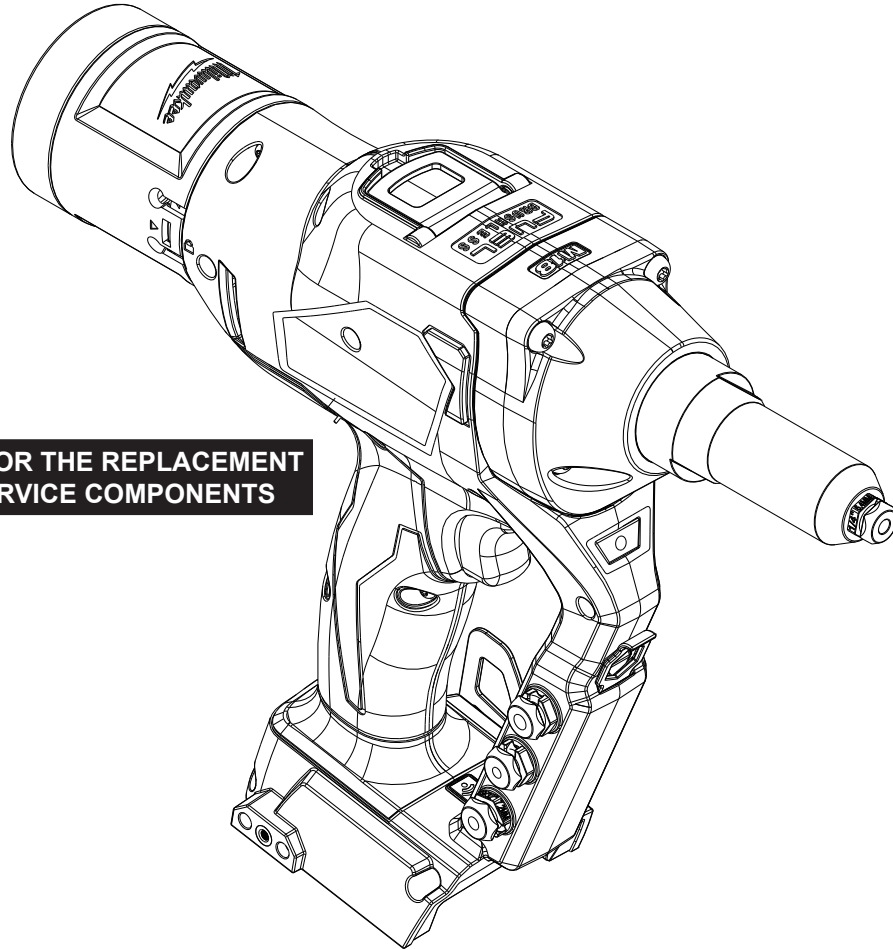




SERVICE PARTS LIST

BULLETIN NO.
54-00-2660

SPECIFY CATALOG NO. AND SERIAL NO. WHEN ORDERING PARTS			REVISED BULLETIN	DATE
M18 FUEL™ 1/4" BLIND RIVET TOOL W/ ONE-KEY™				Oct. 2022
CATALOG NO.	2660-20	STARTING SERIAL NO.	WIRING INSTRUCTION	
		L93A		



SEE PAGE TWO FOR THE REPLACEMENT OF EXTERNAL SERVICE COMPONENTS

Due to the complexities of One-Key™ electronics contact the following for service related questions and issues:

e-Service at: www.milwaukeetool.com/e-service

or

questions, please call 1.800.SAWDUST (1.800.729.3878)

or

Visit www.milwaukeetool.com or

Return it to a MILWAUKEE *factory* Service Center location, freight prepaid and insured.

A copy of the proof of purchase should be included with the return product.

If you have questions please contact Milwaukee Product Service at:

Product Technical Support via phone at: 262.783.8642

or

Via email at: METProductSupport@milwaukeetool.com

Disassembly is not recommended and could void the warranty.



SERVICE PARTS LIST

BULLETIN NO.
54-00-2660

SPECIFY CATALOG NO. AND SERIAL NO. WHEN ORDERING PARTS		REVISED BULLETIN	DATE
M18 FUEL™ 1/4" BLIND RIVET TOOL W/ ONE-KEY™			Oct. 2022
CATALOG NO.	2660-20	WIRING INSTRUCTION	
STARTING SERIAL NO.	L93A		

EXAMPLE:
Component Parts (Small #) Are Included
When Ordering The Assembly (Large #).

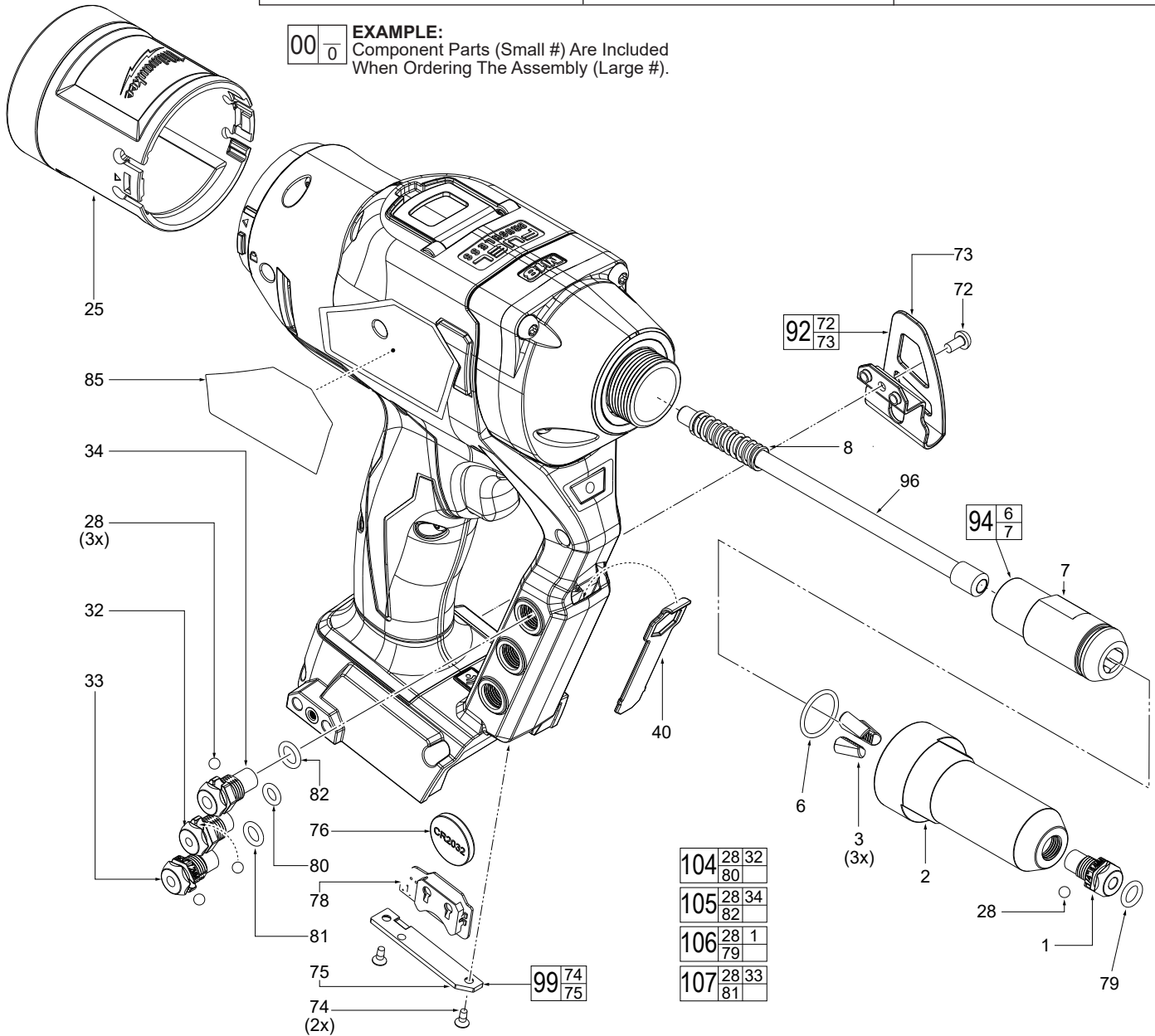


FIG.	PART NO.	DESCRIPTION OF PART	NO. REQ.	FIG.	PART NO.	DESCRIPTION OF PART	NO. REQ.
1	43-72-2557	1/4" Retention Nose Piece	(1)	76	12-20-0314	Coin Cell Battery	(1)
2	43-56-2553	Outer Jaw Housing	(1)	78	48-98-0025	Coin Cell PCBA	(1)
3	49-16-2660JS	15 Degree Jaw (Set of 3)	(1)	79	48-98-0026	O-Ring-Green	(1)
6	34-40-8010	O-Ring Seal	(1)	80	48-98-0027	O-Ring-Black	(1)
7		Inner Jaw Housing	(1)	81	48-98-0028	O-Ring-Brown	(1)
8	40-50-8937	Jaw Pusher Spring	(1)	82	48-98-0028	O-Ring-Red	(1)
25	43-72-2557	Mandrel Cup Assembly	(1)	85	12-20-0314	Service Nameplate	(1)
28		4mm Steel Ball	(4)	92	42-70-0950	Belt Clip Service Kit	(1)
32		3/16" Retention Nose Piece	(1)	94	43-56-2554	Jaw Housing Service Kit	(1)
33		9/32" Retention Nose Piece	(1)	96	44-60-2555	Pusher Tube Service Assembly	(1)
34		7/32" Retention Nose Piece	(1)	99	14-67-0288	Coin Cell Cover Service Kit	(1)
40	49-96-7220	Wrench	(1)	104	48-98-0025	3/16" Retention Nosepiece Assembly	(1)
73		Belt Hook	(1)	105	48-98-0026	7/32" Retention Nosepiece Assembly	(1)
74	05-81-1100	M2.6 x 6mm Flat Hd. Phillips Screw	(2)	106	48-98-0027	1/4" Retention Nosepiece Assembly	(1)
75		Coin Cell Cover	(1)	107	48-98-0028	9/32" Retention Nosepiece Assembly	(1)